

# OZZY-STAINLESS STEEL BODY INGROUND LIGHT

TECHNICAL SHEET  
OD-ING-102



**KEYLIGHT**

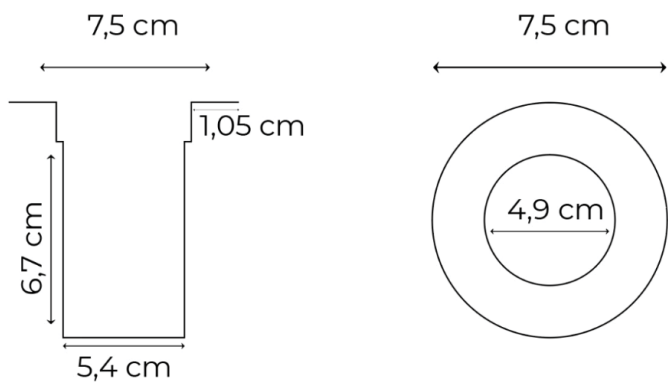
SPAIN

PRODUCTOS DE ILUMINACION

## FEATURES

- GU10
- CE ROHS Certified
- Tempered Glass Diffuser
- 3-Years Warranty

## Drawing



## SPECIFICATIONS

Product Code	OD-ING-102
Power	GU10
Input	AC 220-240V
Material	Stainless Steel SS304
IP Rating	IP 65 Class 1
Dimensions	Ø75mm*95mm
Warranty	3 years